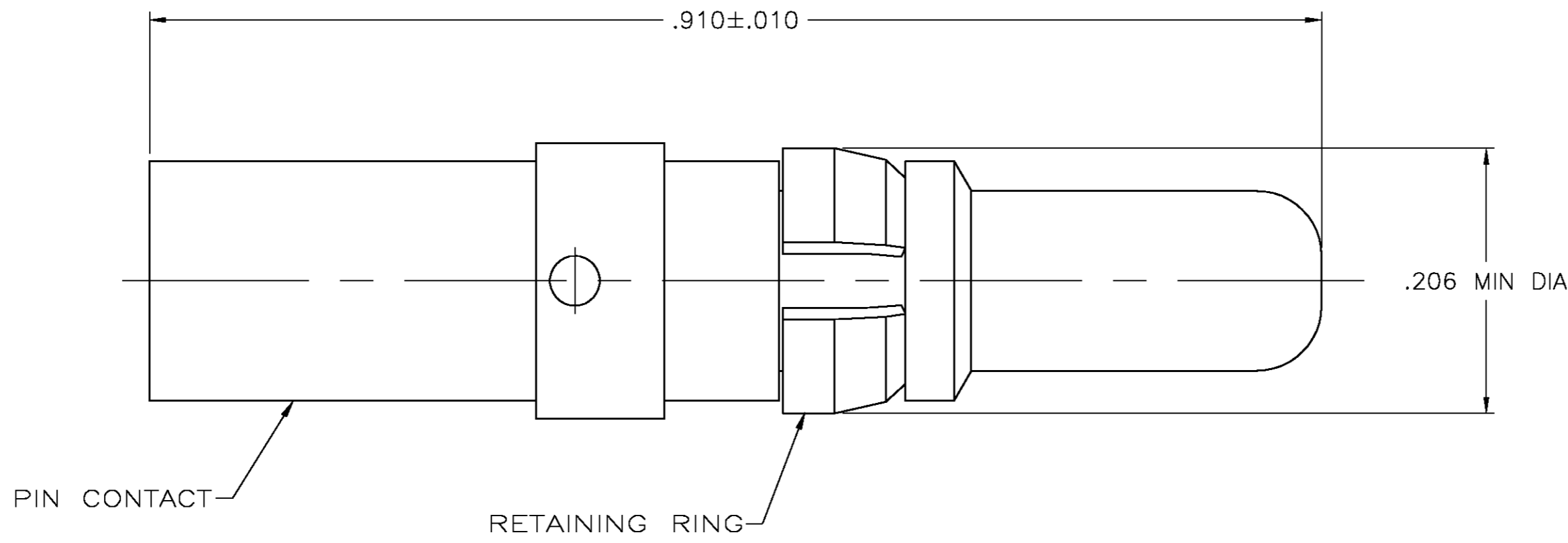


THIS DRAWING IS UNPUBLISHED. RELEASED FOR PUBLICATION  
 © COPYRIGHT BY TYCO ELECTRONICS CORPORATION. ALL RIGHTS RESERVED.

LOC	DIST	REVISIONS					
FT	0	P	LTR	DESCRIPTION	DATE	DWN	APVD
		D		REVISED PER 0G3B-0008-04	1/12/04	SS	GS



213740-1  
 PART NUMBER

- 1 BRASS.
- 2 PHOSPHOR BRONZE.
- 3  $0.76 \mu\text{m}$  [.000030] MIN GOLD OVER  $1.27 \mu\text{m}$  [.000050] MIN NICKEL.
- 4  $2.54 \mu\text{m}$  [.000100] MIN NICKEL.

THIS DRAWING IS A CONTROLLED DOCUMENT.		DWN	01/23/92		 Tyco Electronics Corporation Harrisburg, PA 17105
DIMENSIONS: INCHES		L.SIPE	2-7-92		
TOLERANCES UNLESS OTHERWISE SPECIFIED:		CHK	R.STONE		NAME
0 PLC ± -		APVD	-		PRODUCT SPEC
1 PLC ± -		APPLICATION SPEC			108-1317
2 PLC ± -		SIZE			114-10014
3 PLC ± .005		CAGE CODE			A2 00779
4 PLC ± -		DRAWING NO			C=213740
ANGLES ± -		RESTRICTED TO			-
MATERIAL	FINISH	WEIGHT			SCALE
PIN CONTACT: 1	PIN CONTACT: 3	-			10:1
RETAINING RING: 2	RETAINING RING: 4	CUSTOMER DRAWING			SHEET 1 OF 1
					REV D

213740